

SPECIFICATIONS

ISA Connector

Mechanical

Contact Retention Force: 1.80kgf min.
Mating Force: 340gf max. per Contact Pair
Unmating Force: 28gf min. per Contact Pair
Durability: 500 Cycles

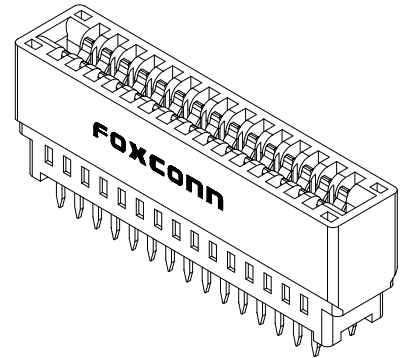
Electrical

Current Rating: 3A max.
Current Voltage: 250V AC
Contact Resistance: 15mΩ max. initial
Dielectric Withstanding Voltage: 1000V
Insulation Resistance: 5000MΩ min.

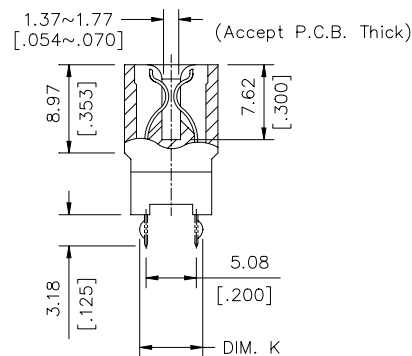
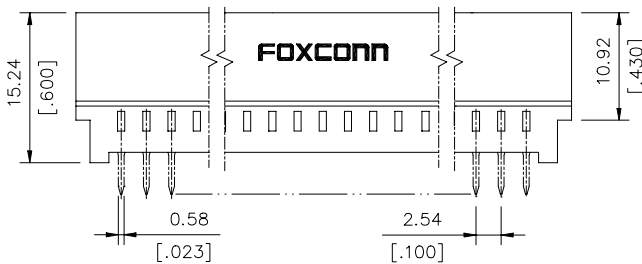
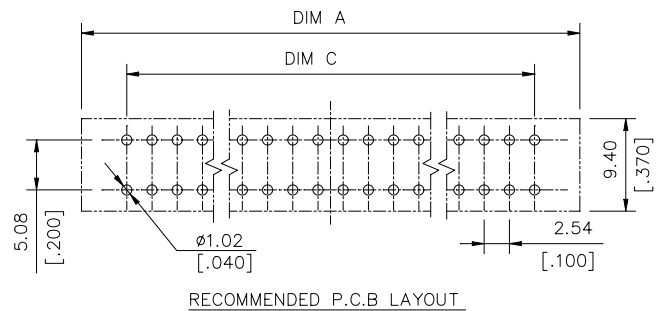
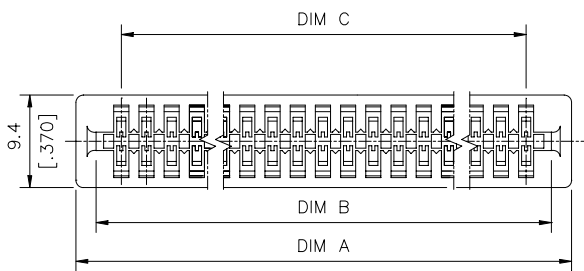
Physical

Housing: Thermoplastic, UL 94V-0 rated, in Black Color
Contact: Copper alloy
Plating: See "ORDERING INFORMATION"
Operating Temperature: -55°C to +85°C

ES Series
Vertical Type
2.54mm [.100"] Pitch
30 Pos.



DRAWING



ORDERING INFORMATION

PRODUCT NO.: ES 0 15 0 *

Series Prefix

2.54 [.100] Pitch
 Edge Card Conn.

Termination Type

0=Straight

No. of Pos.

15=30 Pos.

Contact Area Plating

1=Gold Flash
 2=20u" Gold
 3=30u" Gold
 6=10u" Gold
 7=15u" Gold

Tail Length Type

0=3.18 [.125]

ES0150*	44.71 [1.760]	40.63 [1.600]	35.56 [1.400]	Without Kink
P/N	DIM A	DIM B	DIM C	Kink Pos.