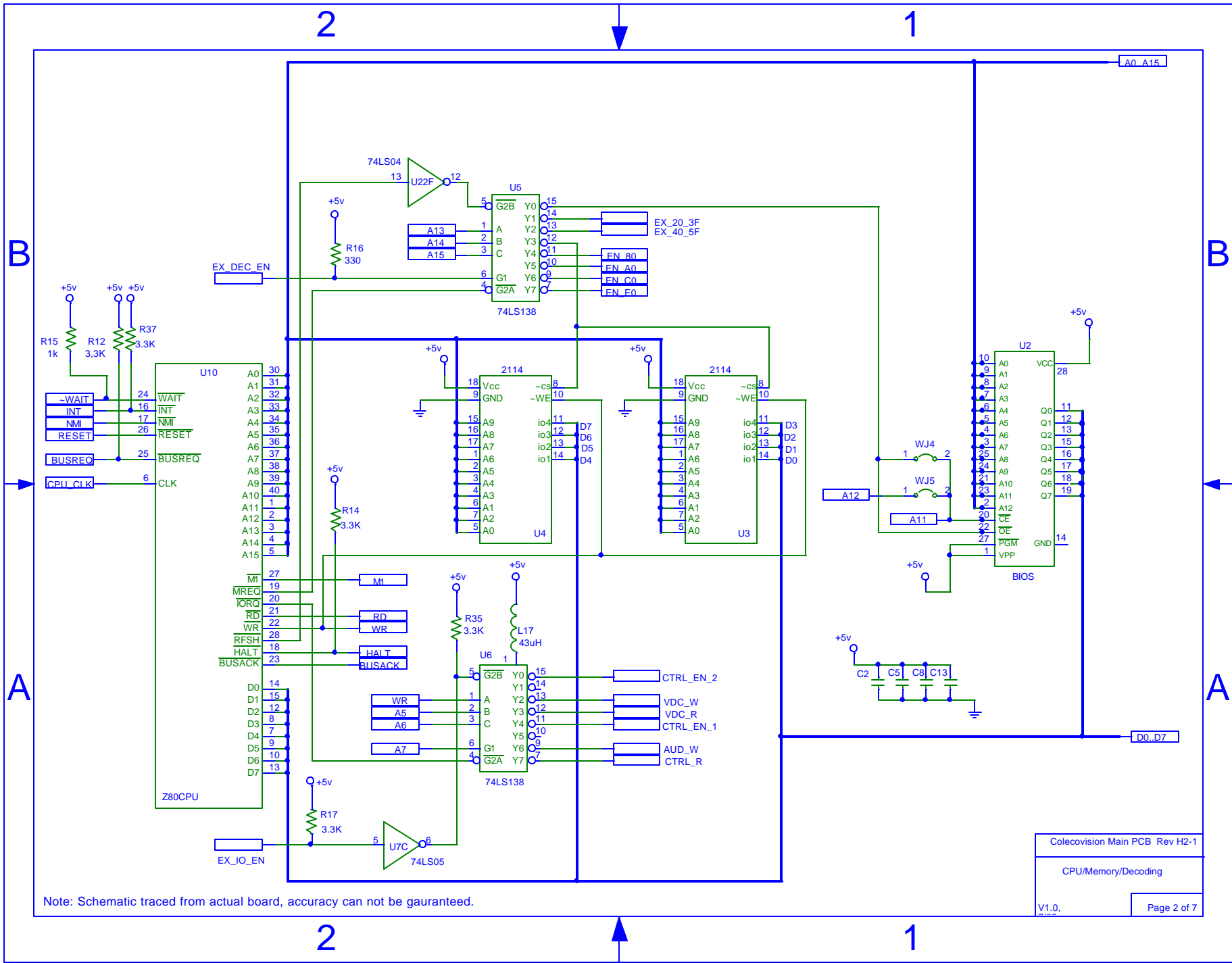
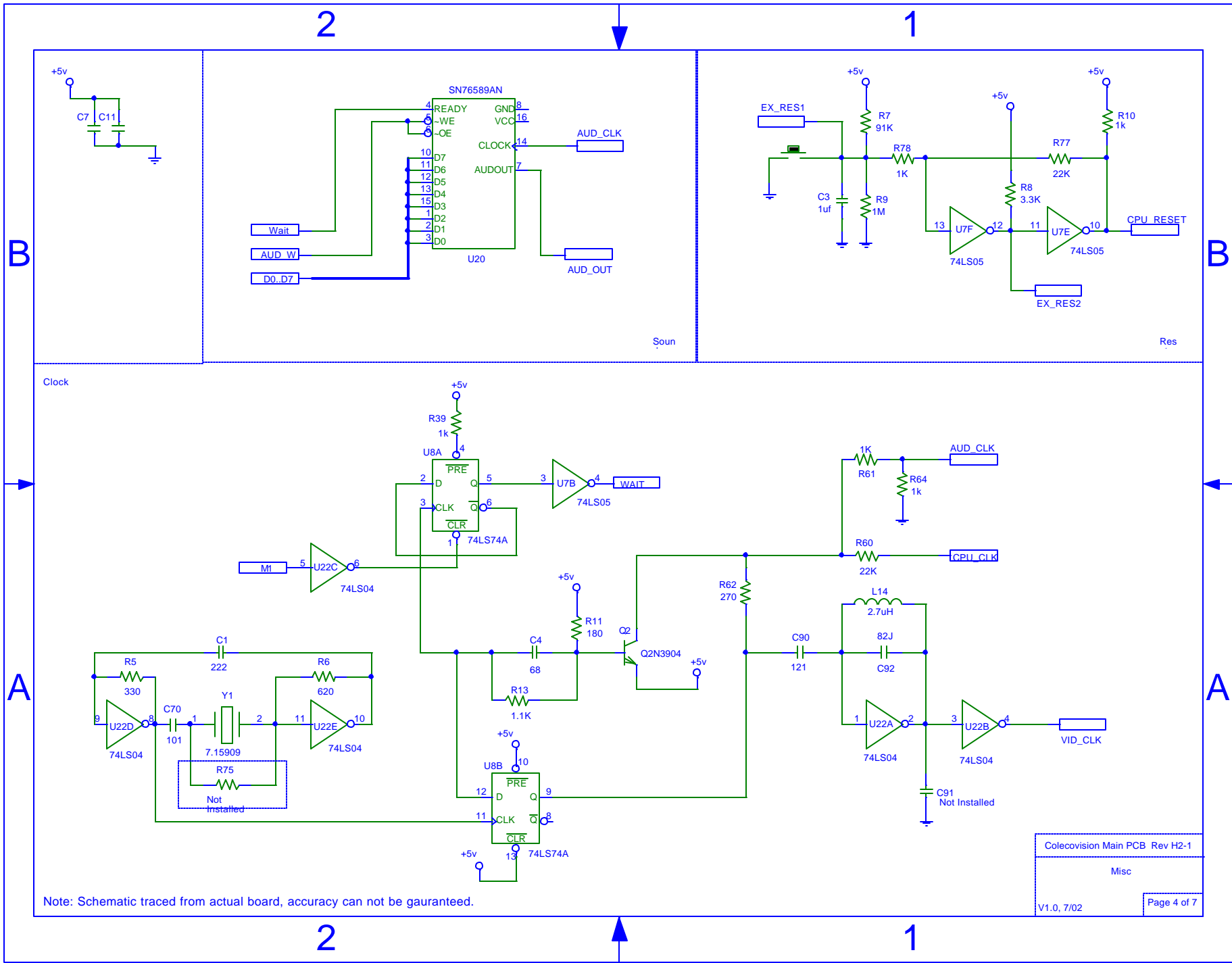
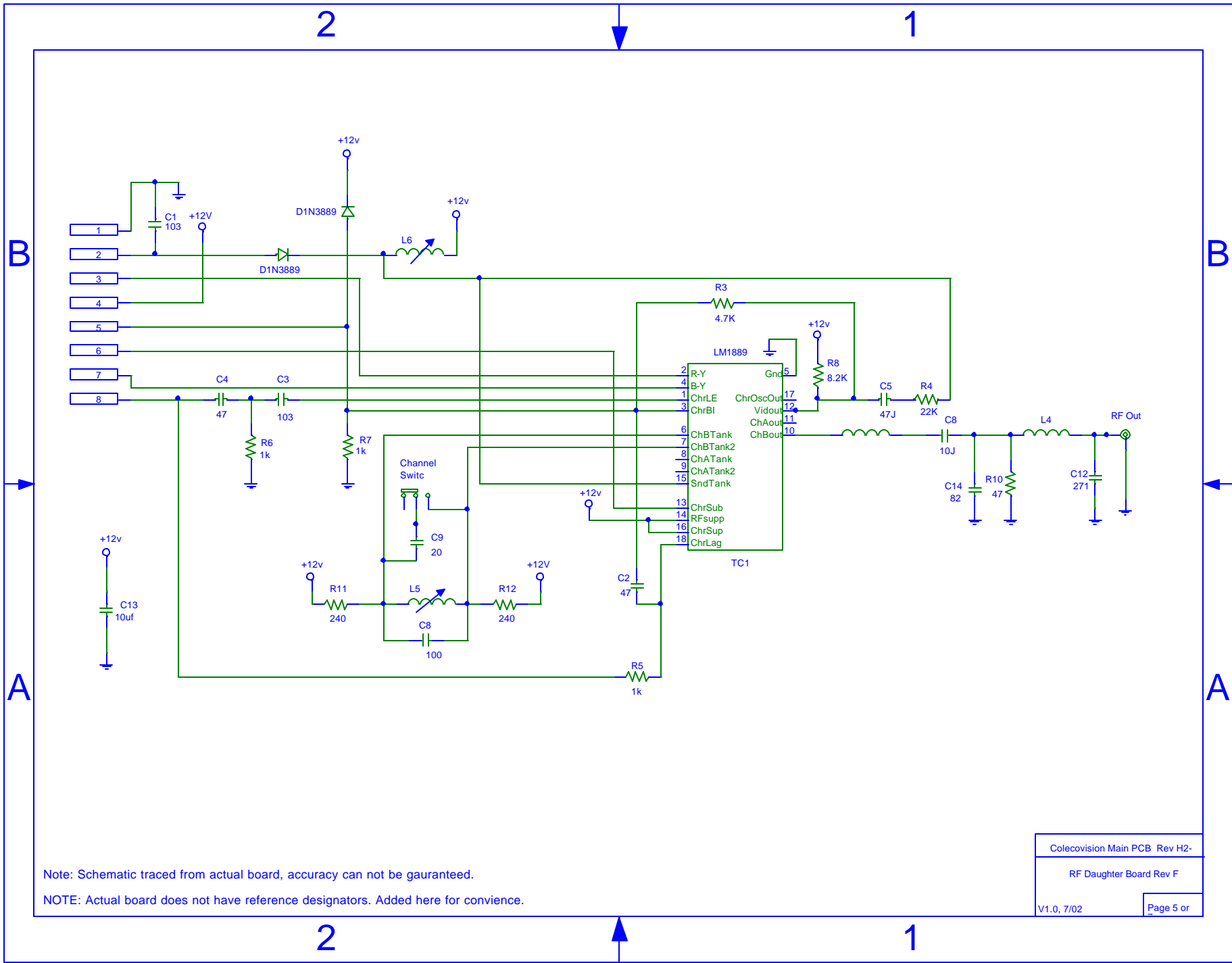


Note: Schematic traced from actual board, accuracy can not be guaranteed.

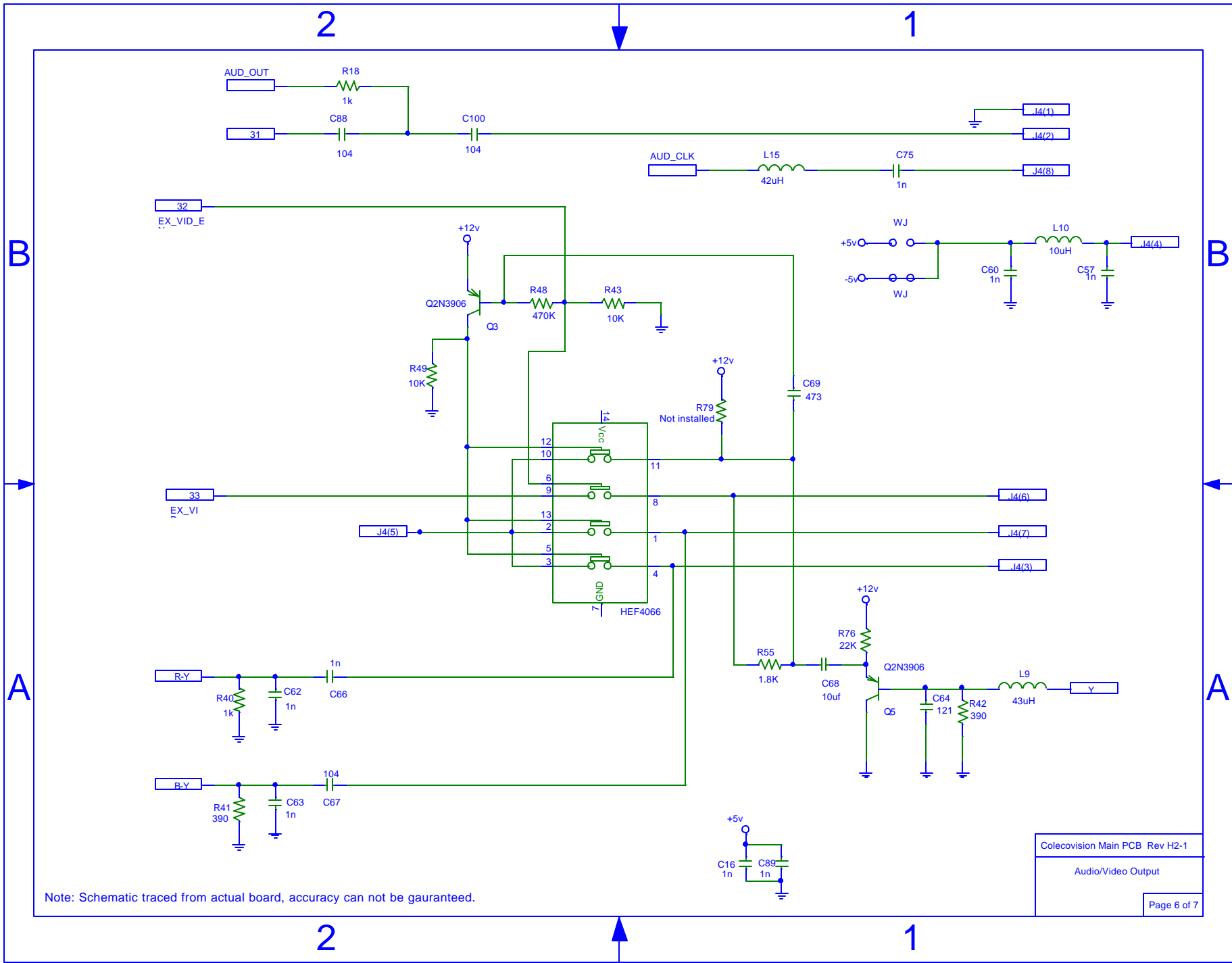


Note: Schematic traced from actual board, accuracy can not be guaranteed.



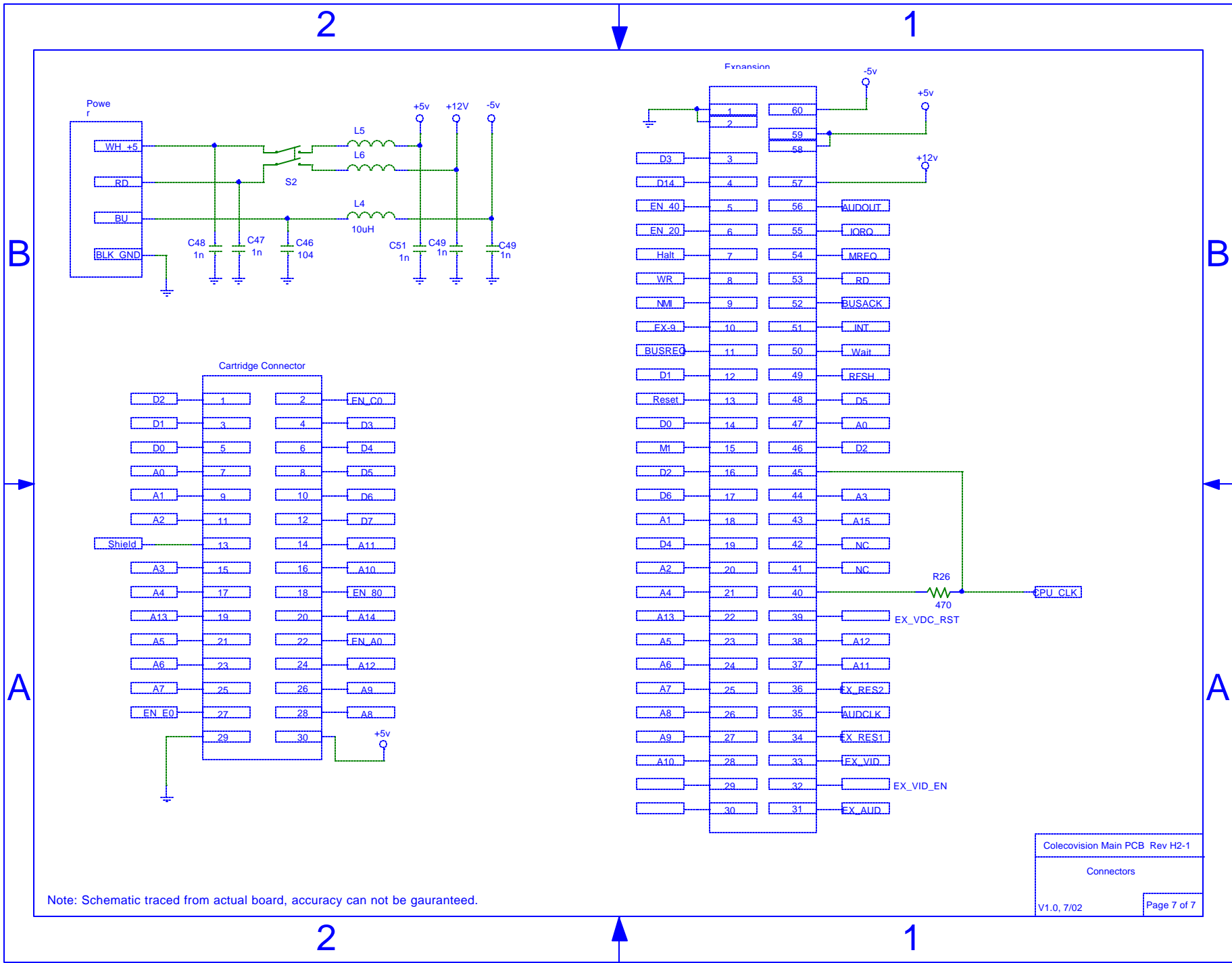


Note: Schematic traced from actual board, accuracy can not be guaranteed.
 NOTE: Actual board does not have reference designators. Added here for convenience.



Colecovision Main PCB Rev H2-1
 Audio/Video Output
 Page 6 of 7

Note: Schematic traced from actual board, accuracy can not be guaranteed.



Note: Schematic traced from actual board, accuracy can not be guaranteed.